

Qmotion[®]

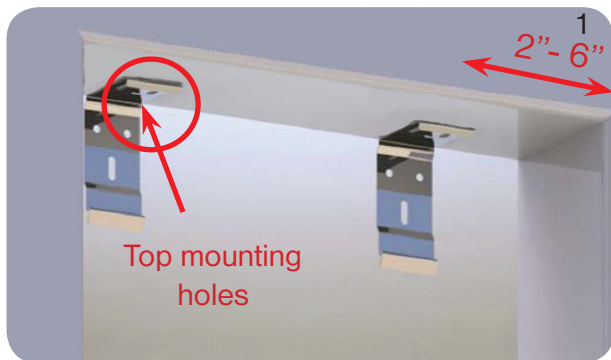
advanced shading systems

Cassette Installation Instructions

Always wear personal protection equipment, including safety glasses and gloves, when installing. If the shade is out of reach, use a ladder per its manufacturer's instructions.

INSTALLATION TYPE: INSIDE MOUNT

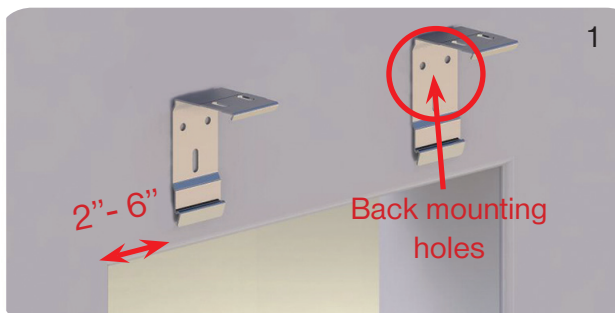
(1) Install mounting brackets using supplied screws for inside mount using top mount holes. Measure/ mark/ pre-drill and install brackets 2-6 inches from edge of bracket to window jamb.



Be Advised: For Cassette systems greater than 4 ft, you will be supplied with additional mounting brackets. Evenly space these brackets dividing the total width of window opening by the number of brackets supplied.

INSTALLATION TYPE: OUTSIDE MOUNT

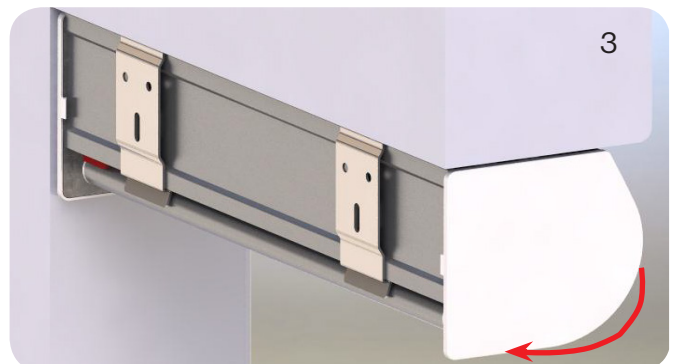
(1) Install mounting brackets using supplied screws for outside mount using back mount holes. Measure/ mark/ pre-drill and install brackets 2-6 inches from edge of bracket to edge of shade



(2) Position cassette as shown to hook bracket on cassette.



(3) Rotate cassette into vertical position towards wall or window until you hear and see the bottom of mounting bracket snap into place.



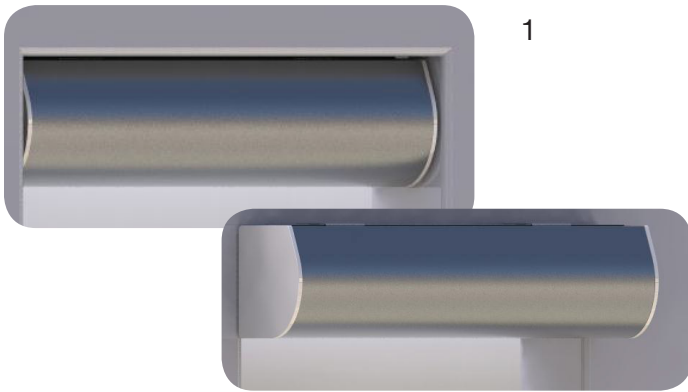
Shown in bracket lock position

Be Advised: Check to be sure all brackets have snapped into position before releasing the cassette system.

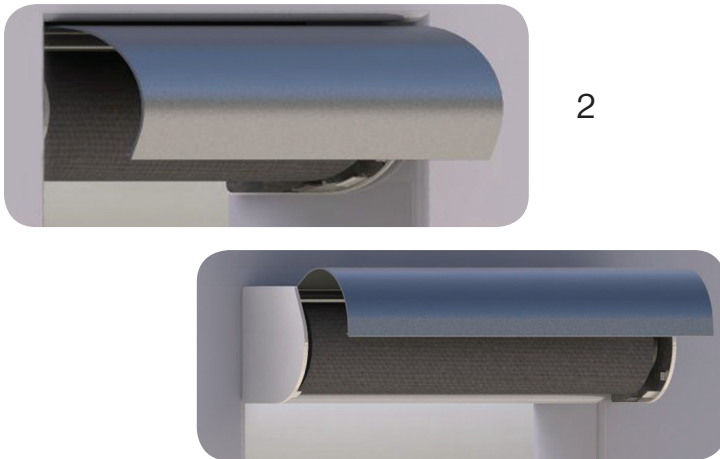
BATTERY CHANGE AND SHADE PROGRAMMING

INSIDE MOUNT AND OUTSIDE MOUNT

(1) Un-clip curved fascia at ends. DO NOT PULL FROM CENTER.



(2) Rotate towards interior of the room.



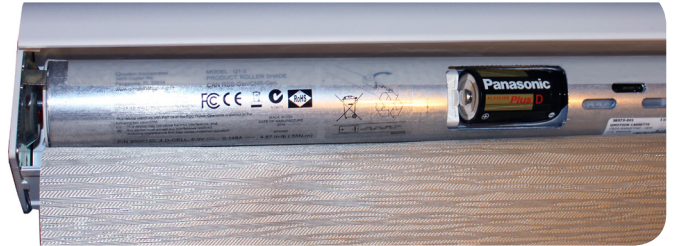
(3) Move the shade to down position by pressing the DOWN button on the remote.

(4) Tug the shade past the down position. The shade then returns to the 75% position.

(5) Pull the shade downward until the battery window is exposed.



(6) Squeeze and then pull the plastic battery cover off exposing the batteries.



(7) Replace batteries with fresh D-Cell batteries.

(8) Press any button. The shade will move to that position.

REMOTE PROGRAMMING

(1) Send the shade to the position to be changed.

(2) Press & Hold the button desired to be changed after the shade has stopped (ex. if the position to be programmed is the upper limit, press and hold the UP button)

(3) After about 5 seconds the shade will Jog down 3 inches and back up.

(a) Release the position button to be changed.

(b) Tug the shade 6 inches to enter learn mode for the button position.

(c) Move the shade to the new position by hand or press the UP button to send the shade to the TOP, then pull down to the desired position.

(d) Press and Hold the position button to be set until the shade begins to move UP.

(e) The shade will travel to the "hard stop," the new position has been set.