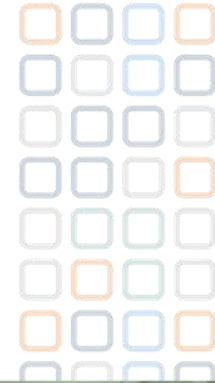
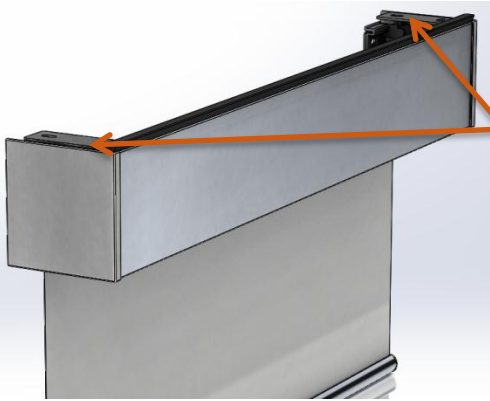


Qmotion™



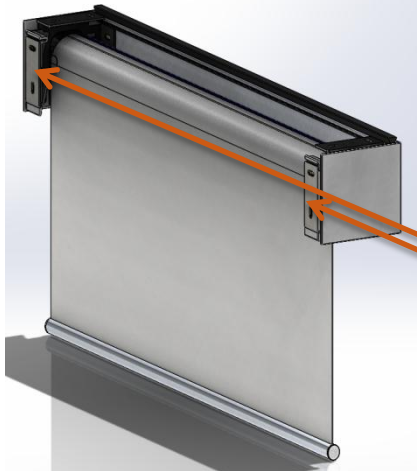
FASCIA INSTALLATION 3.0

INSTALLATION TYPE STANDARD ROLL

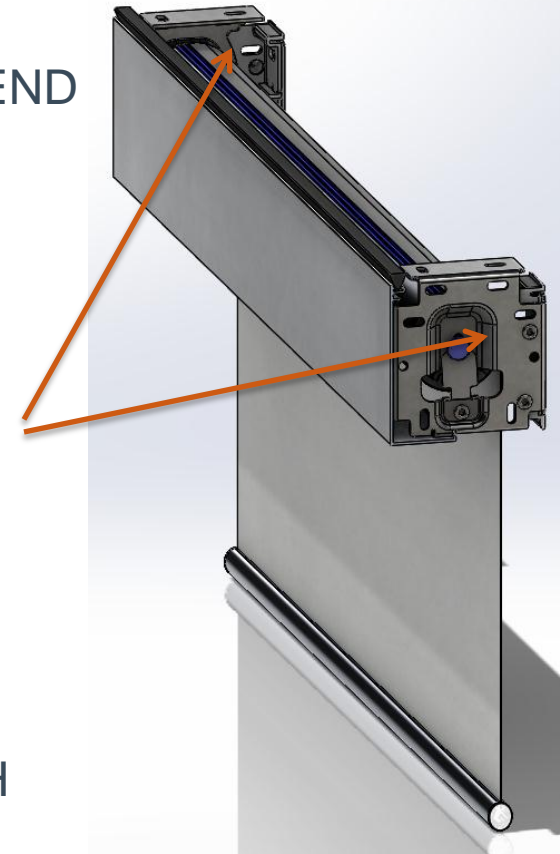


- TOP MOUNT SURFACE WITH END CAPS

- INSIDE MOUNT SURFACE W/O END CAPS



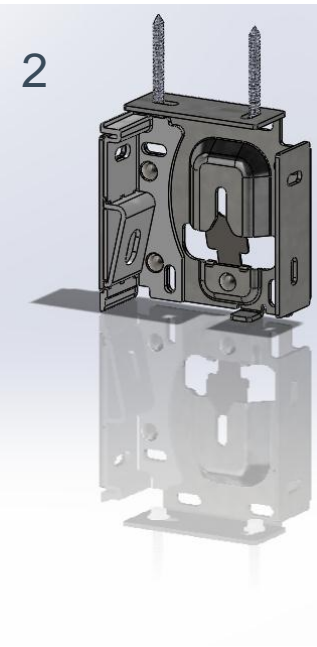
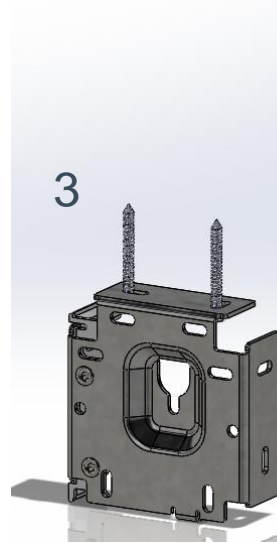
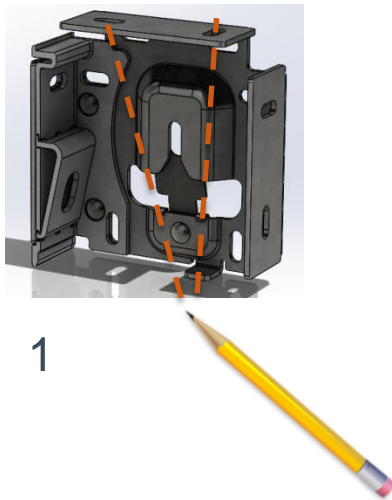
- BACK MOUNT SURFACE WITH END CAPS



MOUNTING BRACKETS TOP MOUNT SURFACE

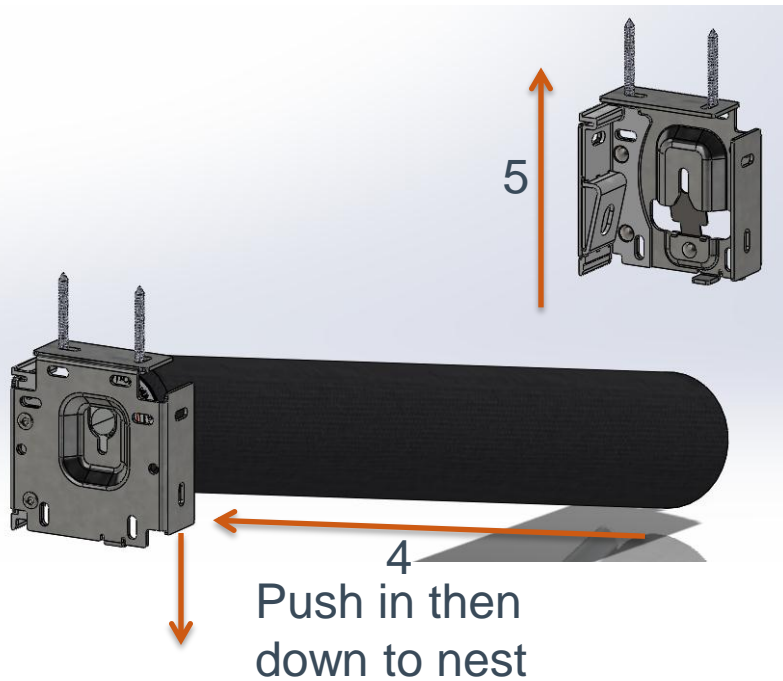


1. Position brackets to mark for predrilling.
2. Use screws (supplied) to securely fasten brackets to mounting surface.
3. Repeat steps 1 and 2 for second bracket.

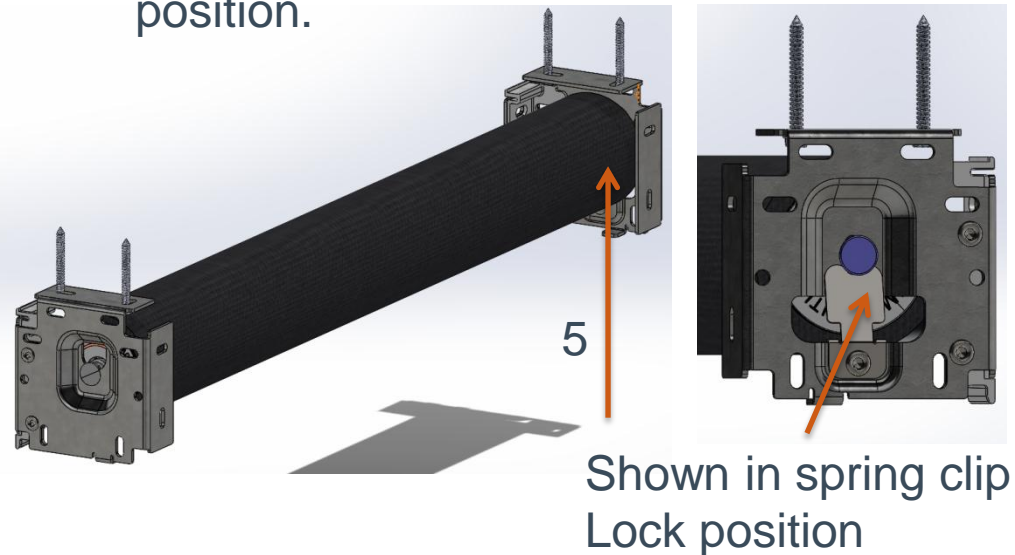


INSERT ROLLER SHADE

4. Insert roller shade for standard roll into key hole.
Be sure shaft is securely nested in bottom of key hole
as shown below.

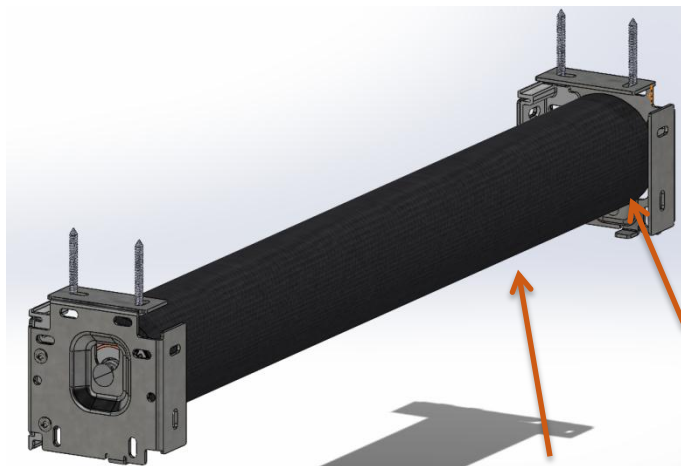


5. Push 2nd end of shade up into "spring clip" mounting bracket until you hear the spring clip "snap" back into position.



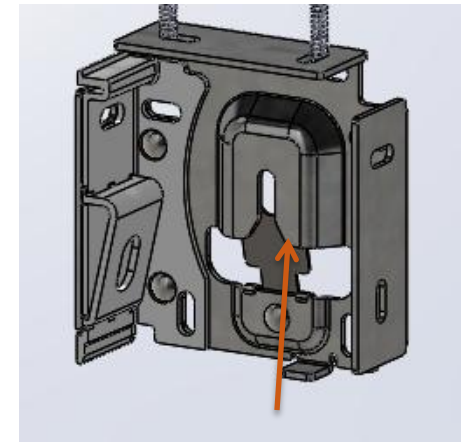
TO REMOVE ROLLER SHADE

6. Push shade up on the “spring clip” end of the shade.
7. Insert screw driver to flex “spring clip” while pushing shade up.
8. With shade pushed up and spring clip flexed out of the way pull shade down to release from bracket from spring clip.



6 Push shade up on spring End side of shade

7 Push shade up on Spring End side of shade



View of location for screw Driver to flex spring clip for Shade removal