

**LOW VOLTAGE ROLLER SHADE  
DISTRIBUTION BOX  
INSTALLATION INSTRUCTIONS**

**Tools Required**

- Measuring Tape
- Wire Strippers
- Ladder
- 1/8" Flat Head Screwdriver

**Materials Required**

Wire (See Table A)

**Recommended Items**

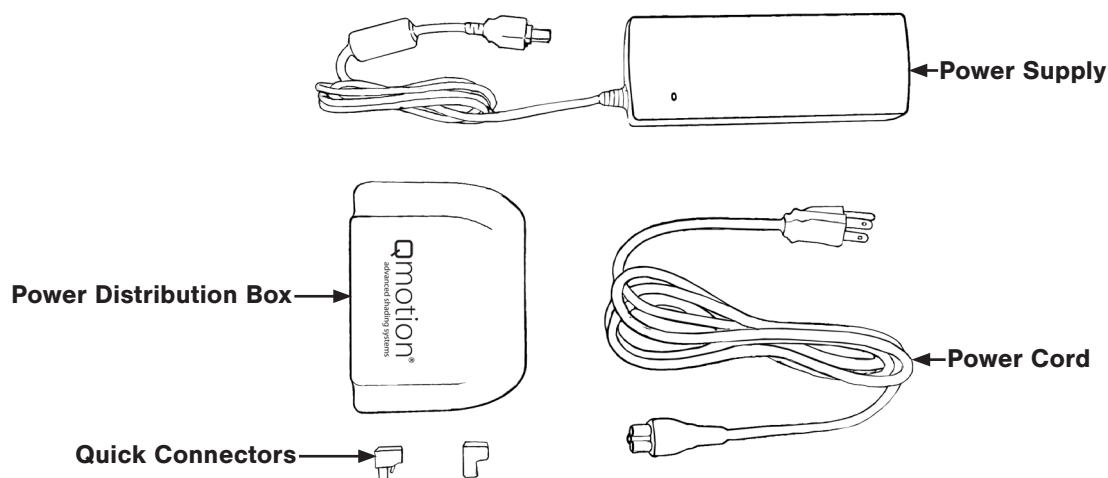
- Wire Management Clips
- Double-sided Tape

**IMPORTANT**

**This document assumes that you have already installed roller shade brackets.** We do not recommend installing the shade's wired end in the locking bracket. Read and understand all instructions before installing. Always wear personal protection equipment including safety glasses and gloves. Use a ladder per its manufacturer's instructions. Work safely!

**PARTS**

Ensure that all parts are present.



**DISTRIBUTION BOX INSTALLATION PARTS LIST**

Part	Quantity
Power Supply	1
Power Cord	1
Power Distribution Box	1
Male Quick Connector	1 (per shade)
Female Quick Connector	1 (per shade)

**FCC** Motorized Roller Shades  
QLVS-433  
LOW VOLTAGE SHADE  
CAN RSS-Gen/CNR-Gen.

**FCC Regulatory Statements:**

This device complies with Part 15 of the FCC Rules. Operation is subject to the following two conditions.

- (1) This device may not cause harmful interference, and
- (2) This device must accept any interference received, including interference that may cause undesired operation.

**Class B Equipment**

This equipment has been tested and found to comply with the limits for a Class B digital device, pursuant to part 15 of the FCC Rules. These limits are designed to provide reasonable protection against harmful interference in a residential installation. This equipment generates, uses, and can radiate radio frequency energy and, if not installed and used in accordance with the instructions, may cause harmful interference to radio communications. However, there is no guarantee that interference will not occur in a particular installation. If this equipment does cause harmful interference to radio or television reception, which can be determined by turning the equipment off and on, the user is encouraged to try to correct the interference by one or more of the

following measures:

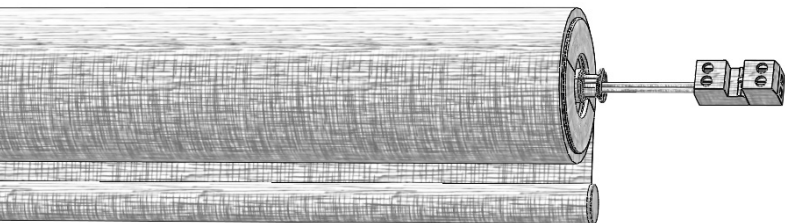
- Reorient or relocate the receiving antenna.
- Increase the separation between the equipment and receiver
- Connect the equipment into an outlet on a circuit different from that to which the receiver is connected.
- Consult the dealer or an experienced radio/TV technician for help.

Warning: Changes or modifications to this device not expressly approved by QMotion Advanced Shading Systems could void the user's authority to operate the equipment.

**Industry Canada Regulatory Statements:**

This Class B digital apparatus complies with Canadian ICES-003.  
Cet appareil numérique de la classe B est conforme à la norme NMB-003 du Canada  
This Class B digital apparatus meets all requirements of the Canadian Interference Causing Equipment Regulations.  
Cet appareil numérique de la classe B respecte toutes les exigences du Règlement Canadien sur le matériel brouilleur.

Do not operate at temperatures below 32° F or above 130° F. End user must ensure that shade being used is fire resistant. Keep transmitter away from children. Periodically examine assembly and brackets for signs of wear and discontinue use if repair is necessary. The controller and transmitter assemblies contain no serviceable parts.



# Qmotion<sup>®</sup>

advanced shading systems

## POWER DISTRIBUTION BOX

### INSTALLATION INSTRUCTIONS

#### IMPORTANT

To avoid damage or injury, do not connect the Power Supply to the Wall Outlet until STEP 9.

**STEP 1** Lay out the Power Supply, Power Distribution Box, the shade(s), and any wiring/cordage. Ensure that cords and wires are of sufficient length and that Power Supply and Power Distribution Box are located away from water and flammable materials.

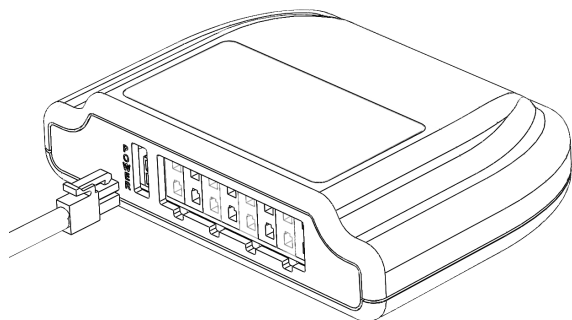
**STEP 2** Connect the Power Cord to the Power Supply

#### IMPORTANT

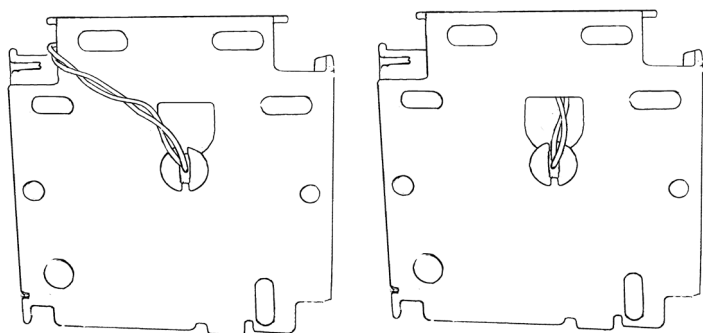
DO NOT connect the Power Cord to the wall outlet at this time!



**STEP 3** Connect the Power Supply to the Power Distribution Box.



**STEP 4** Place the shade in the brackets and route the shade's wires in such a way that they are hidden from view, but still accessible. Use wire clips as needed for routing.



Around Back

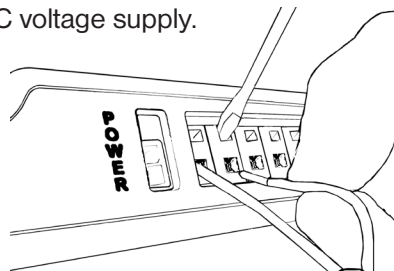
Through Keyhole

**STEP 5** Route power wires from Power Distribution box to shade.

**STEP 6** Strip jacket 1/4 inch. Use 1/8 inch flathead screwdriver to install Quick Connector on wires. Polarity does not matter.

**STEP 7** Terminate Quick Connector to shade's connector.

**STEP 8** Terminate wires at Power Distribution Box in pairs. Place screw driver into dark square slot above the terminal you want wire to go into. Pry upward and the terminal jaws should spring open. Then slide stripped wire into bottom cavity but not insulation portion. Release the prying pressure on the screw driver. Terminal should bite down on the wire. Apply a light tug to test your terminal connection. Remember the red dot represents the + side of the DC voltage supply.



**STEP 9** Connect the Power Cord to the Wall Outlet. The shades are now waiting to learn a remote.

#### PRO TIP

Multiple shades can all be programmed to the same remote at the same time, even if they will have different Lower Limits. Simply perform the following steps with all shades powered. In particular, perform STEP 13 on all shades before moving on to STEP 14.

**STEP 10** Select the desired remote channel. Press and Hold any button on the remote control to learn it to shade(s). The shade will jog when it has learned remote.

**STEP 11** Press the DOWN Button on the remote to send the shade to its Lower Limit.

**STEP 12** Press and Hold the DOWN Button until the shade begins to move. (You must pull the hembar downward at least two inches.)

**STEP 13** Pull the shade's hembar downward to the desired Lower Limit. The shade can be moved back up during this step by using the UP Button.

**STEP 14** Press and Hold DOWN Button again until shade begins to move back to Upper Limit. Lower Limit can be changed at any time by following steps 11 to 14.