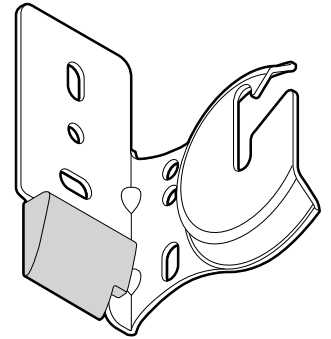
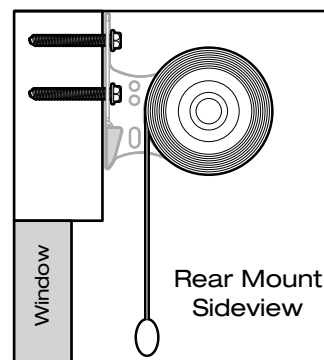
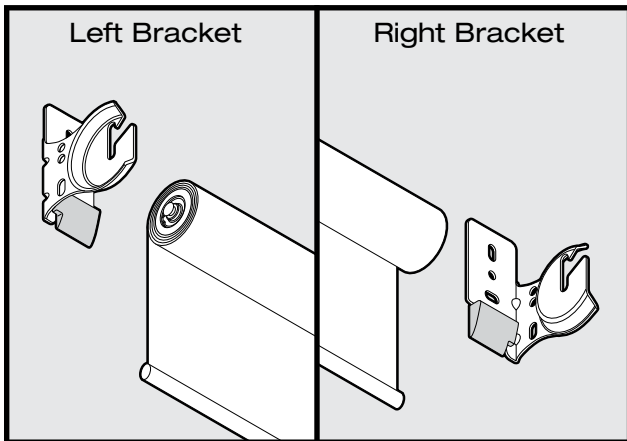


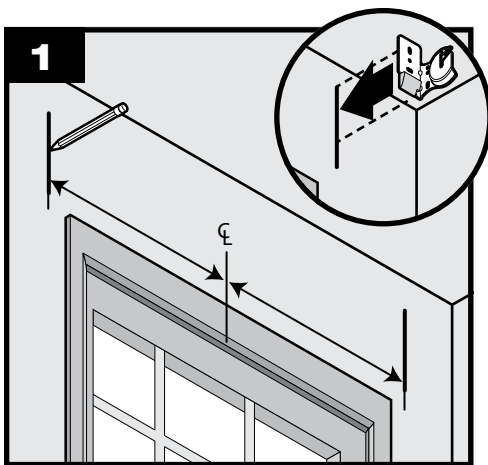
2.5 Outside Mount Bracket



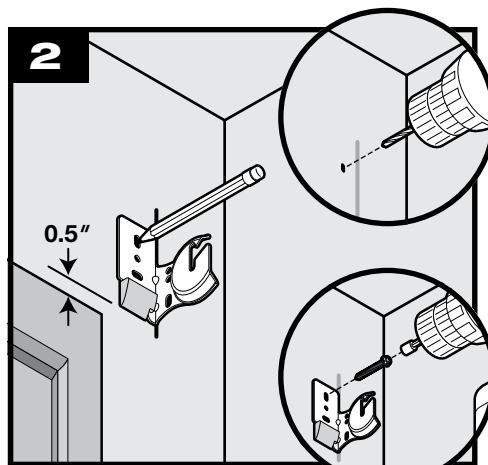
Outside Mount (Rear Mount)



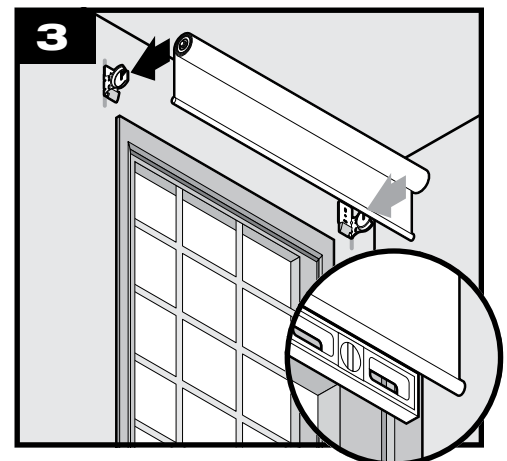
NOTE: Verify shade travel path is clear of all obstructions.



1
Mark center of opening. Make marks on wall on each side of window 1/2 the bracket-to-bracket dimension for the shade. Align outside edge of bracket with mark.

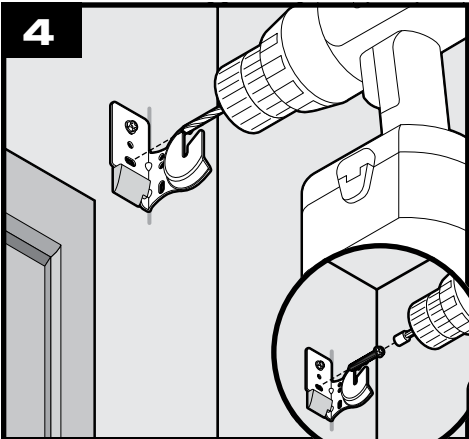


2
Mark bottom of slotted top hole on brackets. Drill 3/32" pilot hole on mark. If necessary, use wall anchor (not included). Secure brackets with one screw using a 1/4" driver.



3
Dry fit top shade and check vertical side gaps and if shade is level. Adjust brackets if necessary by loosening screw and moving bracket down in slot. Once level, remove shade and tighten screw.

Outside Mount (Rear Mount) – Cont'd



Drill second 3/32" pilot hole. If necessary, use wall anchor (not included). Secure brackets with second screw using a 1/4" driver.

QMotion Customer Support
www.qmotionshades.com
qmotioninfo@homerunholdings.com
Toll Free 1-877-849-6070