

QdR2 LOCKING STATION MOUNTING INSTRUCTIONS

Recommended Tools:

Level
Pencil
Drill with 3/16" sized bit
Flat head screwdriver with 1/4" blade width

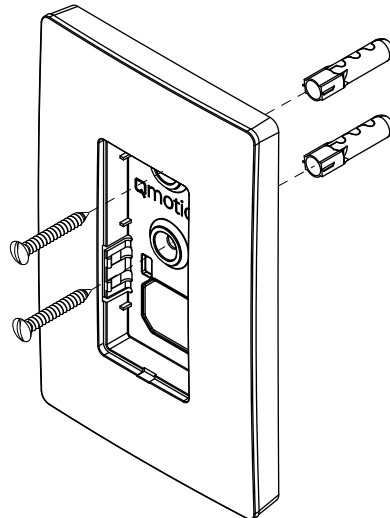
Step 1

With a pencil or pen, use the screw holes on the Locking Station to mark the desired position on the wall. Installing on a junction box is neither required or recommended. Take care to avoid making contact with any wiring behind the wall.

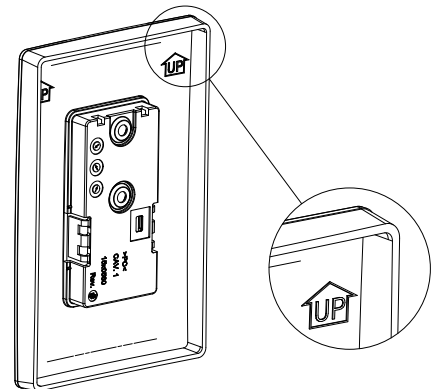
Use of the Level is recommended to ensure the Locking Station is mounted properly aligned.

Drill holes where marked and insert the included screw anchors.

Line up the holes on the Locking Station with the anchors and attach with the included screws.

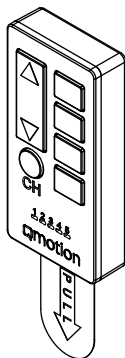


IMPORTANT: Make sure to install the Locking Station in the correct orientation. The back of the Locking Station has an indication in the upper right corner.



Step 2

If the battery protection tab is still installed in the QdR2, pull the tab straight out to remove it.

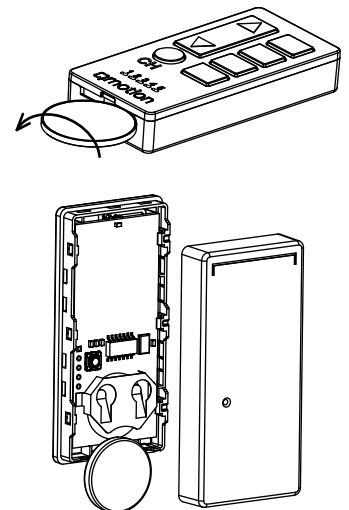


Step 3

Remove the rear housing of the QdR2. Use a U.S. Quarter coin or similar. Insert the quarter into the slot and twist to separate the back from the front. Repeat this process around the QdR2 until the snaps release and the rear housing is fully separated from the front housing.

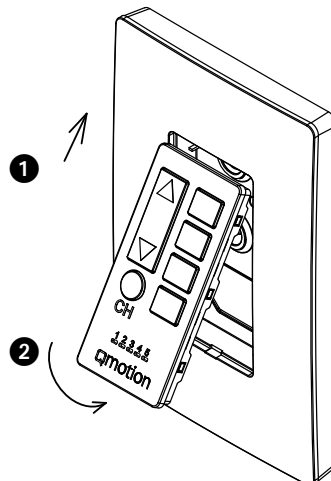
If needed, replace the battery with a CR2032 battery. Install the battery with positive polarity side facing towards the QdR2 circuit board.

NOTE: Store the rear housing in a safe place, in the event that the QdR2 may be removed from the Locking Station in the future to be used as a hand held remote control.



Step 4

(1) Align the locking notches on top of QdR2 remote to the tabs on locking station, then (2) press the bottom section of the QdR2 towards the locking station until you hear a click.



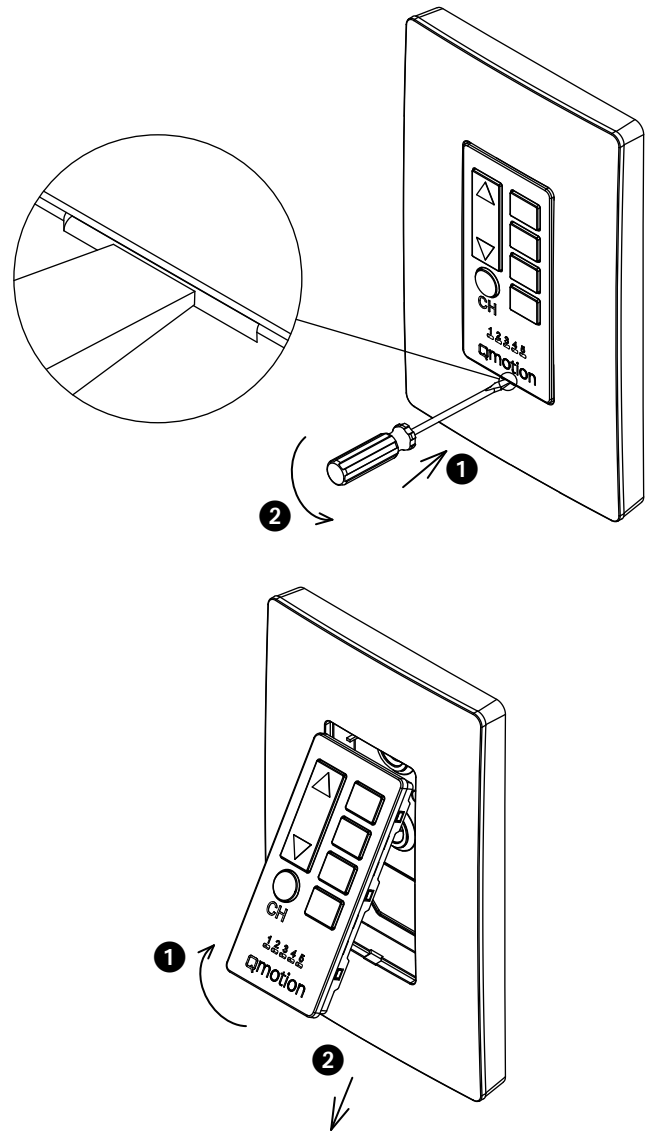
Removing the QdR2 from the Locking Station

(1) Insert the tip of small flat head screwdriver into the slot in the middle of the bottom edge of the QdR2, then (2) press down on the screw driver handle to release the QdR2 from the Locking Station.

NOTE: QMotion recommends using a flat-bladed screwdriver with blade width of 3/32 inch or smaller for this task.

After the QdR2 is released, lift the bottom portion of the remote then pull it down and away from the Locking Station.

NOTE: Be sure to reattach rear housing before use outside of the Locking Station.



Qmotion®

For more information visit us at qmotionshades.com or call 877.849.6070

© 2018 QMotion. QMotion is a trademark. All rights reserved.

Pub #9000284r1 Revised: 10/2018